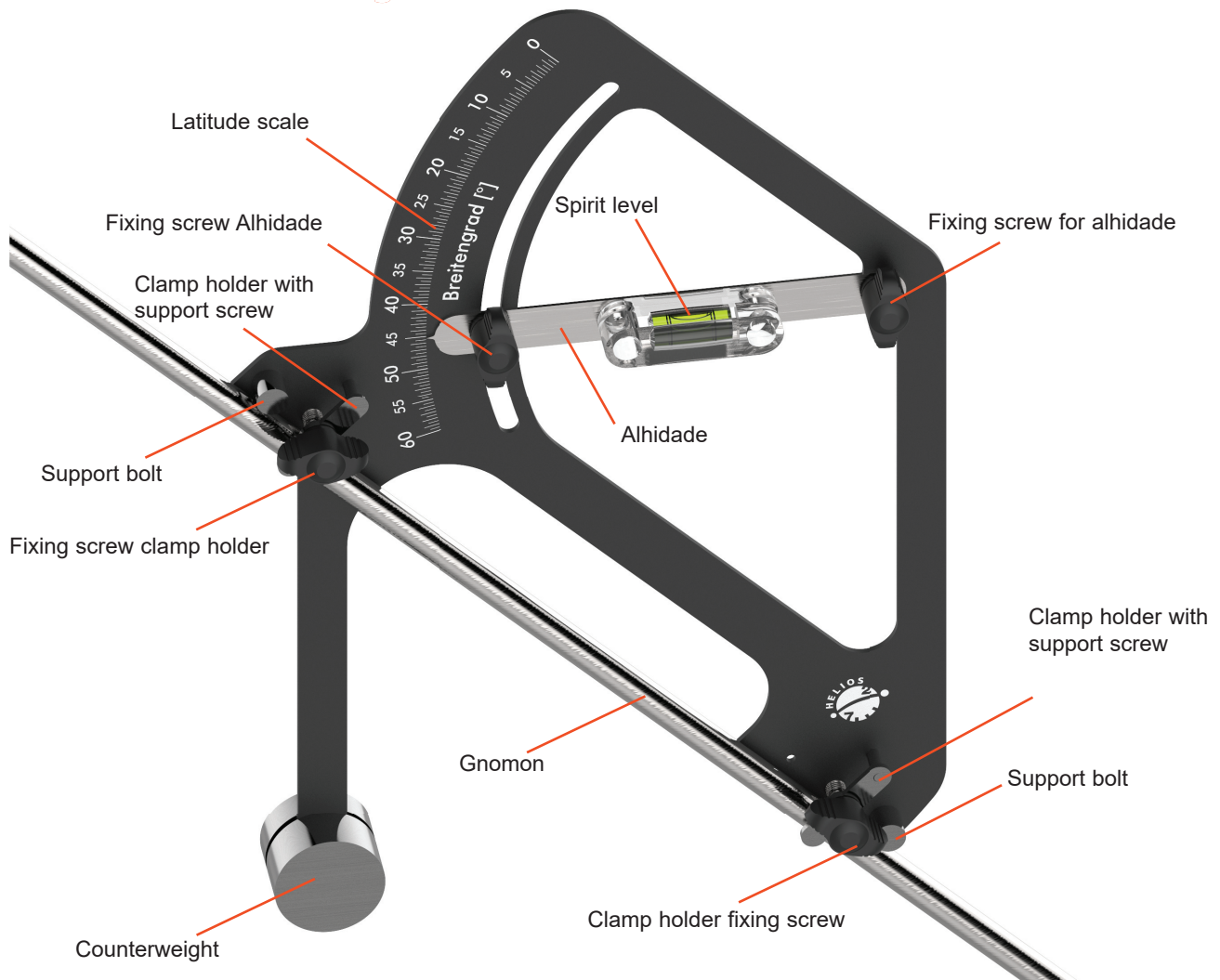


## Latitude measuring device



The latitude measuring device is used to correctly set the elevation angle of the gnomon by a sundial. It is aligned parallel to the Earth's axis and thus points to the celestial pole near the Pole Star. The elevation angle of the celestial pole always corresponds to the latitude of the location. With the latitude measuring device, which can be conveniently placed on the gnomon and clamped in place, the gnomon can be precisely adjusted for the latitude:

1. Slightly loosen both fixing screws on the alidade, set the latitude, and tighten them again.
2. Adjust the two clamp holders to the diameter of the gnomon by turning the respective support screw in or out until the support height corresponds to the gnomon diameter.
3. Place the latitude measuring device on the gnomon with the two support bolts and tighten the fixing screws.
4. Align the gnomon until the air bubble in the spirit level is within the marking rings.

Attention: The positions of the support bolts and the spirit level are adjusted at the factory. Please do not loosen the fastening screws to prevent misalignment.



Latitude measuring device in use for aligning the CHRONOS sundial