

Setup of the POLARIS for any latitude

The POLARIS sundial is intended for the latitude range between 35° and 70° north or south. The latitude is set with the aid of the latitude ruler (see POLARIS manual page 6 and Fig. 6 on page 5).

For locations outside this range, the installation is also possible. To do this, use the table opposite, from which you can determine dimension A from Figure 1 for the width of the site. Measure the dimension A with a folding rule and move the shadow rod until the dimension A has the value for the latitude of the site.

For latitudes less than 35°, it is recommended to place a base made of a solid material (wood, stone or similar) under the foot of the gnomon. The height of the base should be chosen so that after adjustment the gnomon still protrudes far enough (at least 25mm).

In Figure 2, the sundial has been set up for latitude 30° N. Dimension A results from the table with 118.5 mm. The base is 20 mm high here, so the gnomon protrudes 56 mm. Without the base, it would only stick out 16 mm and the shadow would no longer reach the time ring in summer.

If you have any questions, you can reach us at the following address:

HELIOS Sundials
 Begasweg 3
 65195 Wiesbaden
 Germany
 Phone: +49 - (0)611 - 18 51 106
 Fax: +49 - (0)611 - 59 83 29
 E-Mail: email@helios-sundials.com



Lat. [°]	A [mm]	Lat. [°]	A [mm]	Lat. [°]	A [mm]
0	138.5				
1	138.4	31	117.2	61	65.4
2	138.3	32	115.9	62	63.3
3	138.1	33	114.6	63	61.2
4	137.9	34	113.2	64	59.0
5	137.7	35	111.8	65	56.9
6	137.4	36	110.4	66	54.7
7	137.0	37	109.0	67	52.5
8	136.7	38	107.5	68	50.3
9	136.2	39	105.9	69	48.1
10	135.8	40	104.4	70	45.8
11	135.3	41	102.8	71	43.6
12	134.8	42	101.2	72	41.3
13	134.2	43	99.5	73	39.0
14	133.6	44	97.9	74	36.7
15	132.9	45	96.2	75	34.4
16	132.2	46	94.4	76	32.1
17	131.5	47	92.7	77	29.8
18	130.7	48	90.9	78	27.5
19	129.9	49	89.1	79	25.2
20	129.0	50	87.2	80	22.8
21	128.2	51	85.4	81	20.5
22	127.2	52	83.5	82	18.1
23	126.3	53	81.6	83	15.8
24	125.3	54	79.6	84	13.4
25	124.2	55	77.6	85	11.1
26	123.1	56	75.7	86	8.7
27	122.0	57	73.7	87	6.3
28	120.9	58	71.6	88	4.0
29	119.7	59	69.6	89	1.6
30	118.5	60	67.5	90	0.0

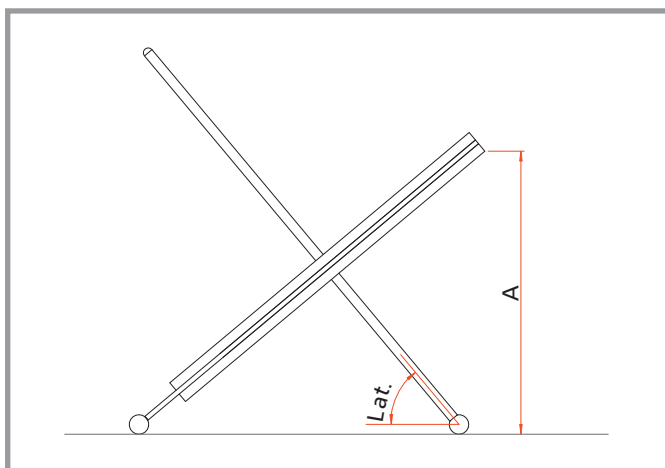


Figure 1: With dimension A, the POLARIS can be set up for the latitude (here 50°).

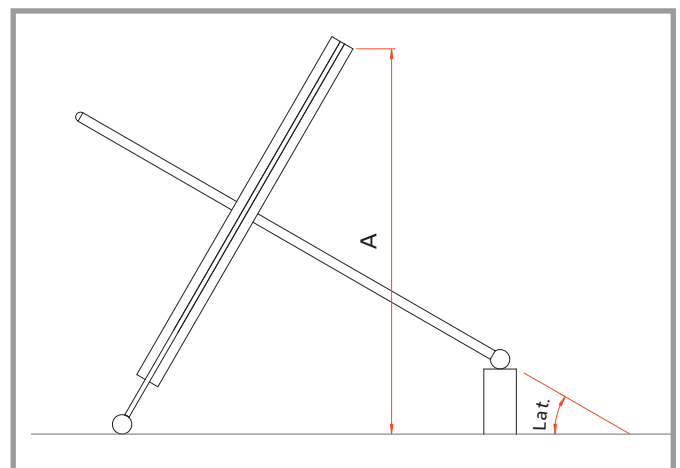


Figure 2: With a base under the foot of the gnomon, the POLARIS can also be set up at low latitudes (here 30°).